

SMD MULTILAYER FERRITE CHIP BEADS / CB TYPE

FEATURES

- ◆ Suitable for flow and reflow soldering
- ◆ Impedance over a broad frequency range
- ◆ Standard type used to suppress lower-frequency, lower current signals

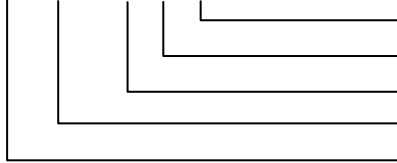


APPLICATIONS

- ◆ Consumer electronic products
- ◆ Computer and peripheral products
- ◆ I/O ports, DC power lines and Signal lines

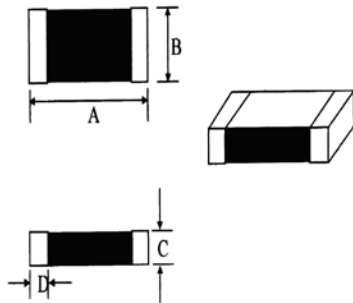
ORDERING CODE

CB 2012 -221 □ -N



Note: lead-free
Tolerance (Y:±25%)
Impedance
Dimension (AxB)
Product Symbol

DIMENSIONS (UNIT: mm)



A	2.0 ± 0.2	m/m
B	1.2 ± 0.2	m/m
C	0.9 ± 0.2	m/m
D	0.5 ± 0.3	m/m

CORE MASTER ENTERPRISE CO., LTD.

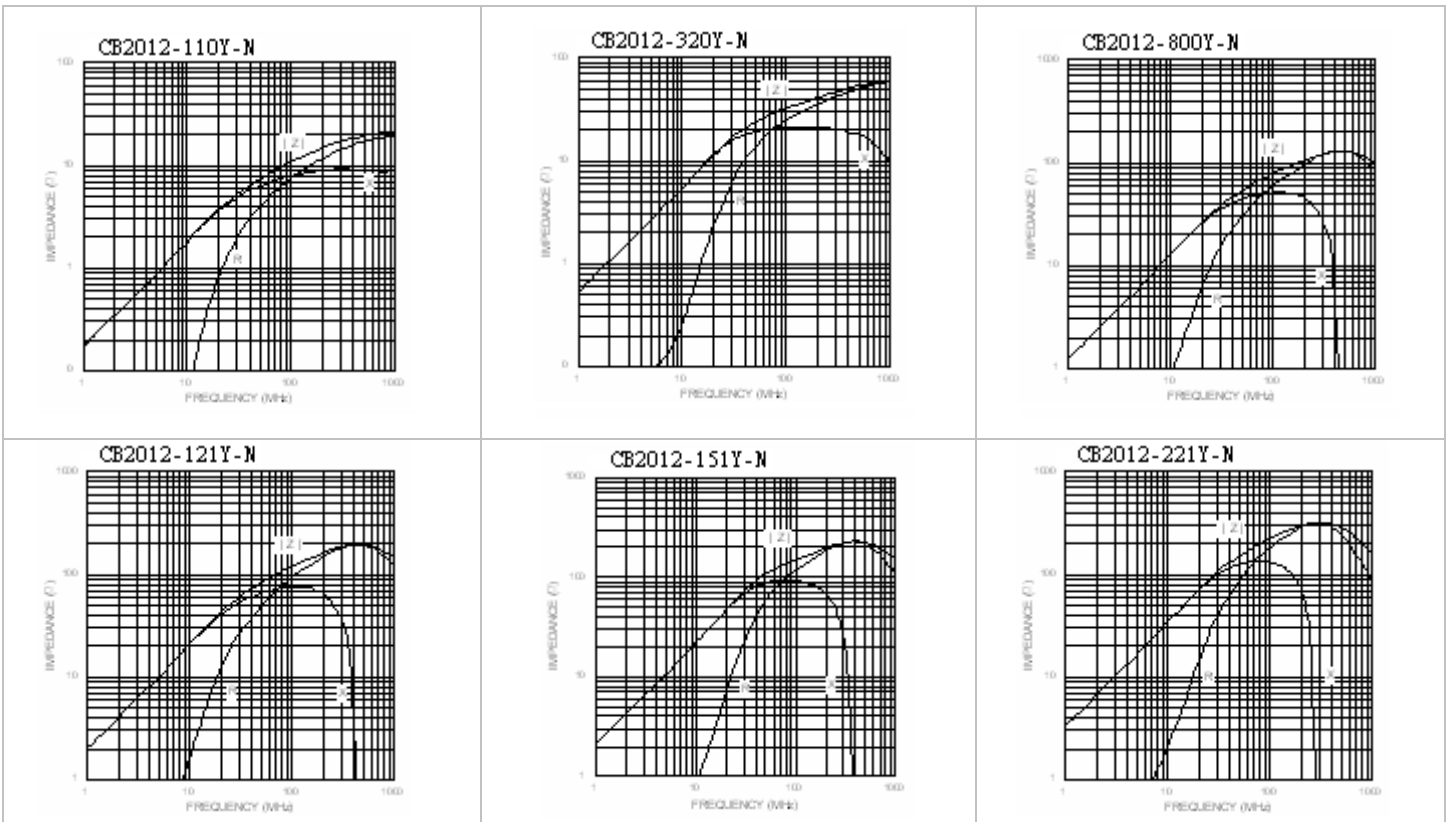
<http://www.coremaster.com.tw>



SMD MULTILAYER FERRITE CHIP BEADS / CB TYPE

ELECTRICAL CHARACTERISTICS CB2012

Part No.	Impedance (Ω) At 100MHz	DCR (Ω) Max	IDC (mA) Max
CB 2012-110 \square -N	11	0.15	600
CB 2012-320 \square -N	32	0.15	400
CB 2012-800 \square -N	80	0.15	300
CB 2012-121 \square -N	120	0.25	300
CB 2012-151 \square -N	150	0.25	300
CB 2012-221 \square -N	220	0.30	200
CB 2012-301 \square -N	300	0.30	200
CB 2012-501 \square -N	500	0.30	200
CB 2012-601 \square -N	600	0.35	200
CB 2012-102 \square -N	1000	0.45	200

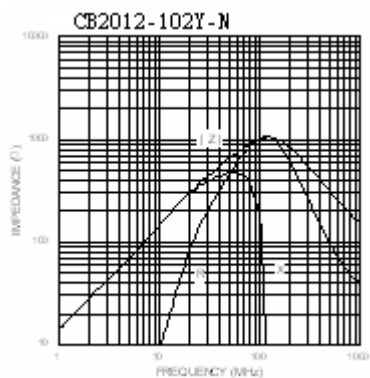
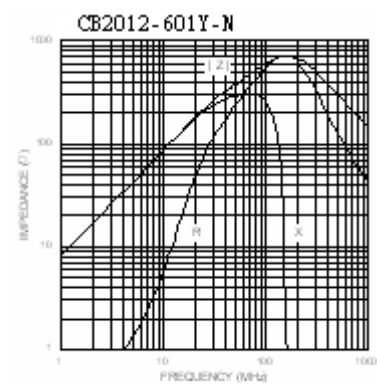
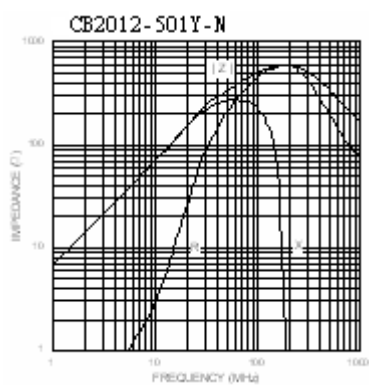
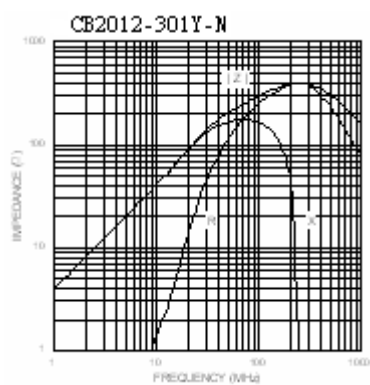


CORE MASTER ENTERPRISE CO., LTD.



<http://www.coremaster.com.tw>

SMD MULTILAYER FERRITE CHIP BEADS / CB TYPE



CORE MASTER ENTERPRISE CO., LTD.

<http://www.coremaster.com.tw>

